

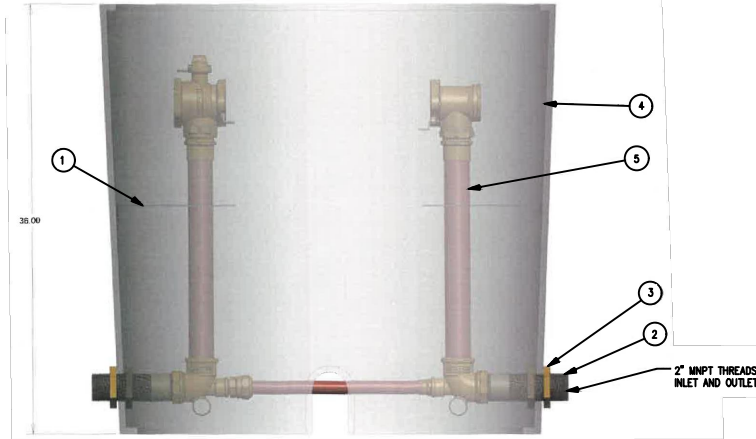
**SPECIFICATIONS 2" OUTSIDE METER PIT SET**

- METER PIT COVER.** 20x36 STD METER BOX COVER.  
VESTAL ADAPTER RING WITH MC1 WITH 7" FRAME  
FORD MC-36-T MONITOR COVER  
(ALL WITH HOLE IN LID)
- COPPER SETTERS** **FORD: 2"- SINGLE LID PLASTIC PIT SETTER (PMBHH-788-36-40-NL)**  
**MUELLER: 2"- EZ-VAULT METER SETTERS (550VS3636FFB000653N)**  
**AY McDONALD: 2"- PIT SETTER 780-748 NL**
- SERVICE LINE.** ALL 2" SERVICE LINES MUST BE COPPER OUT OF CURB STOP AT LEAST 2 FEET.
- BALL TYPE CURB STOP.** MUST HAVE COMPRESSION TYPE FITTINGS ON BOTH ENDS AND BE SUPPORTED BY A CONCRETE BLOCK.  
Mueller- 25155-3, Ford- 11/2" B44-666 2" B44-777.
- SERVICE BOX with SERVICE BOX ROD.** DEPTH OF BURY WILL VARY.
- BALL TYPE CURB STOP.** MUST HAVE COMPRESSION TYPE FITTINGS ON BOTH ENDS AND BE SUPPORTED BY A CONCRETE BLOCK.  
Mueller- 25155-3, Ford- 11/2" B44-666 2" B44-777.
- SERVICE BOX with SERVICE BOX ROD.** DEPTH OF BURY WILL VARY.
- CORPORATION STOP.** CORPORATION STOP SHOULD BE TAPPED DIRECTLY TO THE WATER MAIN AT THE HORIZONTAL POSITION 3 O'CLOCK. 1 1/2"- 2" DUCTAL IRON or PLASTIC- repair clamp with Threaded 1 1/2" or 2". SMITH-BLAIR # 238 FULL CIRCLE REPAIR CLAMP SINGLE BAND.

2" DUCTAL IRON or PLASTIC- repair clamp with  
2". SMITH-BLAIR # 238 FULL CIRCLE REPAIR CLAMP SINGLE BAND.

**YOU WILL HAVE TO PRE-ORDER THESE PITS THRU YOUR LOCAL DISTRUBITOR (4 TO 6 WEEKS)**

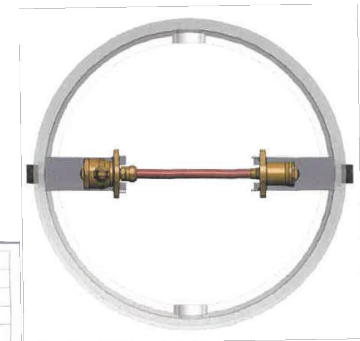
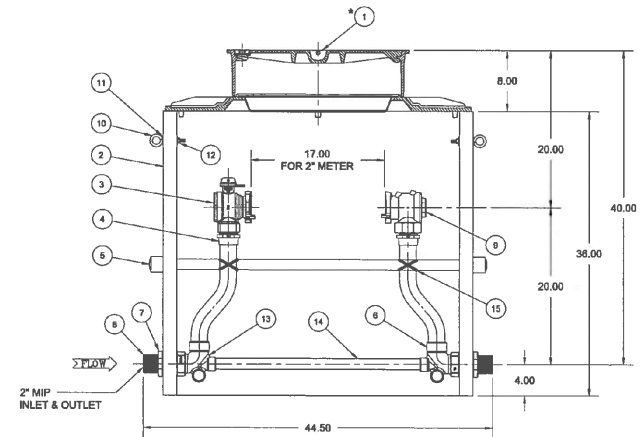
- Service lines require compression couplings only.
- No meter pit shall be installed in a traffic area, driveway, or side walk.
- There shall be no buried joints or couplings, except for the corporation stop on the Main and the curb stop valve.
- Care should be taken when establishing final grade. The meter pit cover is Expected to be at grade. Using bricks or blocks to raise the meter pit cover will not be accepted. (METER FROM TOP OF THE LID SHOULD BE NO DEEPER THAN 20")
- Any questions should be directed to the: [Carmel Water Distribution Department at 317-733-2855.](mailto:Water@CarmelWater.com)



ITEM NO.	PART NUMBER	QTY	DESCRIPTION
1	548555	2	STAINLESS STEEL SUPPORT BRACKET
2	548556	2	BULKHEAD NIPPLE
3	790043	4	2" HEX NUT
4	790244	1	36" x 36" SHELL
5	108B2422--2--N	1	2" X 24" COPPER METER SETTER

ITEM	DESCRIPTION	QTY	MATERIAL	CATALOG NUMBER
1	MONITOR COVER W/ INNER LID	1	CAST GRAY IRON	MC-36-MB
2	36" CORRUGATED TILE	1	PVC	
3	FLANGED ANGLE BALL VALVE	1	CAST NO-LEAD BRASS	BFA13-777W-M5B-NL
4	SOLDER BUSHING	2	CAST NO-LEAD BRASS	CS8-77-NL
5	1" BRACE BAR & CAPS	1	PVC	
6	ELL	2	CAST NO-LEAD BRASS	CBTEE-7-S-NL
7	LOCK NUT	2	CAST RED BRASS	LN-7
8	NIPPLE	2	CAST NO-LEAD BRASS	
9	ANGLE DUAL CHECK VALVE	1	CAST NO-LEAD BRASS	HHFA31-777-M5B-NL
10	EYE BOLT	2	ZINC PLATED STEEL	
11	FLAT WASHER	4	ZINC PLATED STEEL	
12	LOCK NUT	2	ZINC PLATED STEEL	
13	2 1/8" OD COPPER TUBE	2	COPPER	
14	1 3/8" OD COPPER TUBE	1	COPPER	
15	PLASTIC TIES	4	PLASTIC	

\* ORDERED SEPARATELY



3450 W. 131st. Street  
Carmel, IN 46074

Phone: 317-733-2855  
Fax: 317-733-2053

CARMEL WATER  
STANDARD DETAILS

TITLE:  
2" SPECIFICATIONS  
OUTSIDE METER PIT

Date: January 2023

Scale: No Scale

Drawn By: Crossroad Engineers

Drawing Name: CW-11