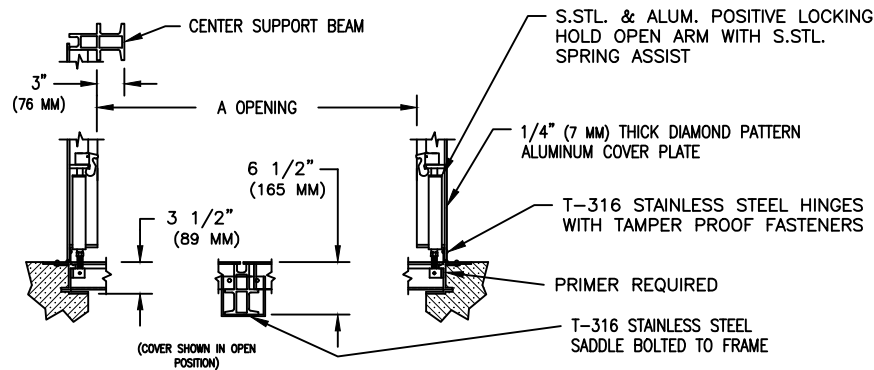


STANDARD FEATURES:

- AUTO-LOCK T-316 STAINLESS STEEL HOLD OPEN ARM WITH RELEASE HANDLE
- T-316 STAINLESS STEEL HINGES AND ATTACHING HARDWARE
- T-316 STAINLESS STEEL SLAM LOCK WITH REMOVABLE KEY
- STAINLESS STEEL COMPRESSION SPRING ASSIST
- DOUBLE LEAF CONSTRUCTION
- H20 LOAD RATING (SEE NOTES)
- EXTRUDED ALUMINUM FRAME
- RECESSED LIFTING HANDLE
- LIFETIME GUARANTEE

A DIM INCHES (A)	C DIM INCHES (MM)	UNIT WT. LBS. (KG.)
72 (1829)	48 (1219)	305 (138)



NOTES:

- 1) SUITABLE FOR USE IN OFF STREET LOCATION WHERE NOT SUBJECTED TO HIGH DENSITY TRAFFIC.
- 2) PROVIDE A FULL BED OF CLASS "A" CONCRETE UNDER FRAME AND SUPPORT ANGLES.



3450 W. 131st. Street  
Carmel, IN 46074

Phone: 317-733-2855  
Fax: 317-733-2053

CARMEL WATER  
STANDARD DETAILS

TITLE:  
ACCESS DOOR  
DETAIL

Date: January 2023

Scale: No Scale

Drawn By: Crossroad Engineers

Drawing Name: CW-22