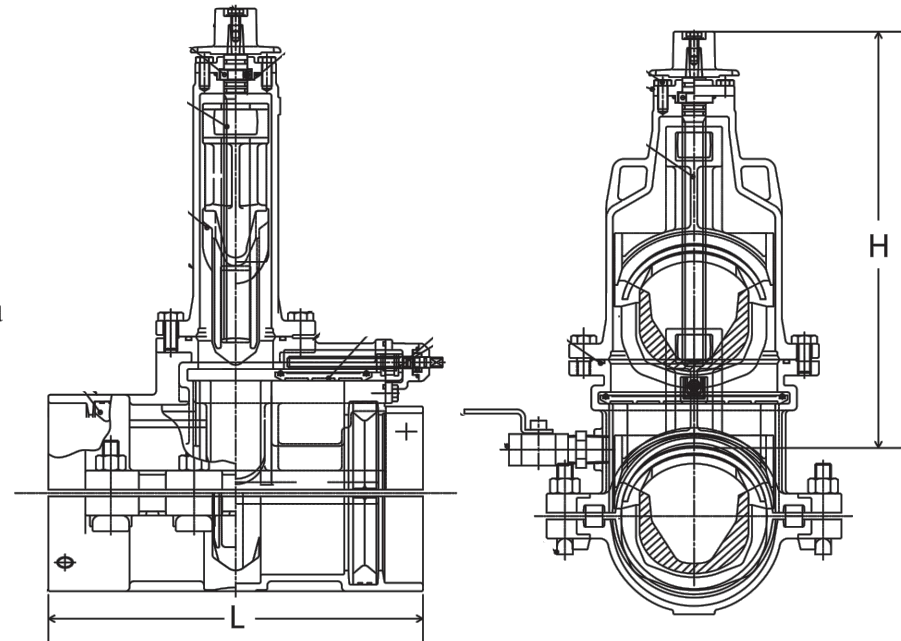


The specified equipment shall be compatible with the valve below.

- \* The EZ Valve shall be capable of pressure-tight assembly to exterior of the pipe in which flow is to be stopped at a working pressure not to exceed 250 PSI.
- \* The EZ Valve assembly shall be designed as to be easily rotated 120 degrees, perpendicular across the top of the pipe, while riding on two (2) separate rubber gaskets, constructed of (EPDM or SBR), by using a perpendicular rotary feed mechanism, driven by a chain.
- \* The EZ Valve shall be constructed of a two (2) piece, Ductile Iron casting (Top & bottom), to be bolted together, using Stainless Steel bolts, manufactured to the Stainless Steel specification of 304 with nuts that meet the same standard and are teflon coated.
- \* The EZ Valve shall meet or exceed AWWA Specification C509 for Resilient Seal Valves suitable for Potable water service.
- \* The Ductile Iron Gate shall have a resilient rubber seal 360 degrees around the gate and is expandable to the ID (Inside Diameter) of the pipe.
- \* The valve stem shall be made of Stainless Steel 1 CR 12, with a tensile strength of 60,000psi.
- \* The valve body shall have an Amerlock™ two-part epoxy coating which conforms to NSF-61. The coating shall be chip and abrasion resistant and it shall be blue in color.
- \* The EZ Valve shall use Stainless Steel fasteners joining the Valve Bonnet to the Valve top casting, unless otherwise noted in assembly drawings.
- \* The final Restraint Fasteners (360 Degree) around the Valve Casting shall be constructed of Stainless Steel 304.
- \* The valve shall be UL and NSF-61 compliant.

SIZE	HEIGHT	LENGTH
4"	18"	17 3/4"
6"	21"	17 3/4"
8"	24"	17 3/4"
10"	27"	19 3/4"
12"	29"	19 3/4"



3450 W. 131st. Street  
Carmel, IN 46074

Phone: 317-733-2855  
Fax: 317-733-2053

CARMEL WATER  
STANDARD DETAILS

TITLE:

EZ VALVE

Date: January 2023

Scale: No Scale

Drawn By: Crossroad Engineers

Drawing Name: CW-30