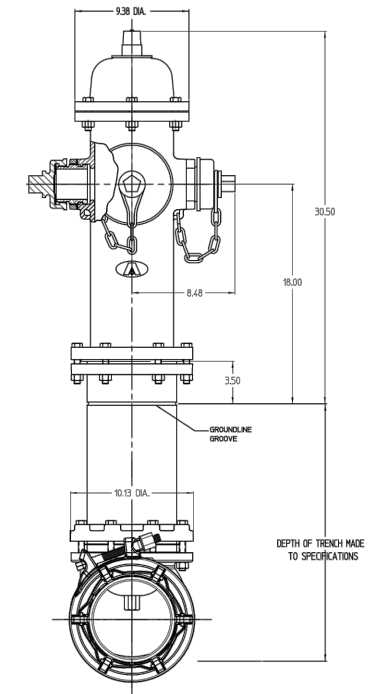
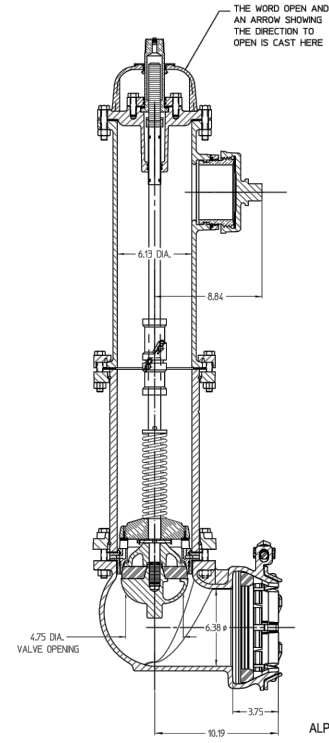
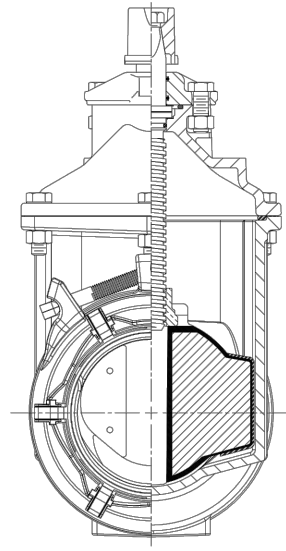
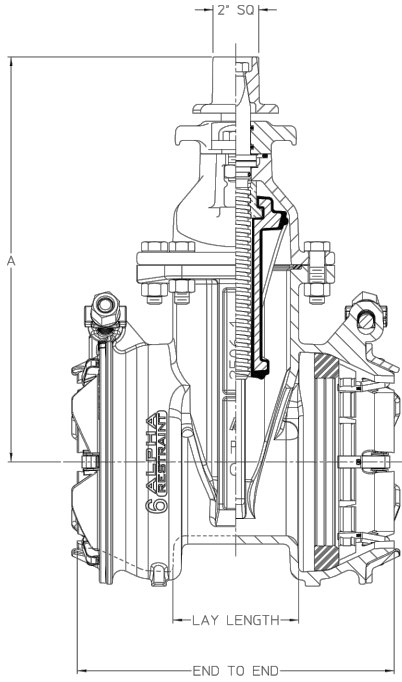


ALPHA ROMAC VALVE AND HYDRANT



ALPHA restraint joints will accommodate the following pipe types and sizes:

ALPHA XL

- Gray iron (Class A, B, C, and D)

Nominal Size (in)	ALPHA XL OD Range (in)
4	4.80 - 5.10
6	6.90 - 7.20
8	9.05 - 9.40
10	11.10 - 11.45
12	13.20 - 13.60

AWWA

IL4625

DIMENSION	VALVE SIZE				
	4"	6"	8"	10"	12"
End to End	12.64	13.40	17.38	18.30	20.27
A	13.91	17.12	20.47	24.06	27.59
Lay Length	4.24	5.32	6.37	7.15	8.31
Handwheel Diameter	10.00	12.00	14.00	16.00	16.00
No. of Turns to Open	14	20	26	32	38

ALPHA restraint joints will accommodate the following pipe types and sizes:

ALPHA

- Ductile iron per AWWA C151
- PVC per ASTM D1785 (Schedule 40 and 80)
- PVC per ASTM D2241 (SDR 21)
- PVC per AWWA C900
- HDPE per AWWA C906 (SDR 9, 11, 13.5, and 17)

Nominal Size (in)	ALPHA OD Range (in)
6	6.60 - 7.00

NOTES:

1. Size and shape of operating nut and nut on caps, threading on nozzles and caps and the direction of opening made to specifications.
2. Cap chains are not furnished unless specified.
3. Bolts and nuts are rustproof steel ASTM A307 or equivalent, in accordance with AWWA 502
4. Working pressure 250 psig, test pressure 500 psig.
5. Hydrant conforms to AWWA standard C502
6. Valve top, valve bottom and base coated with fusion bonded epoxy coating.
7. Certified to NSF/ANSI Standard 61 and NSF/ANSI 372.
8. Nominal turns to open is 19-1/2.



3450 W. 131st. Street
Carmel, IN 46074

Phone: 317-733-2855
Fax: 317-733-2053

CARMEL WATER STANDARD DETAILS

TITLE:
ALPHA ROMAC VALVE AND HYDRANT

Date:	January 2023	Scale:	No Scale	Drawn By:	Crossroad Engineers	Drawing Name:	CW-31
-------	--------------	--------	----------	-----------	---------------------	---------------	-------