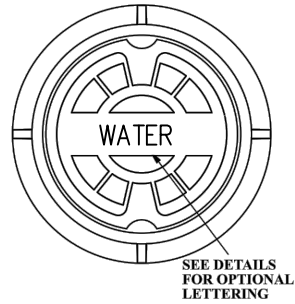
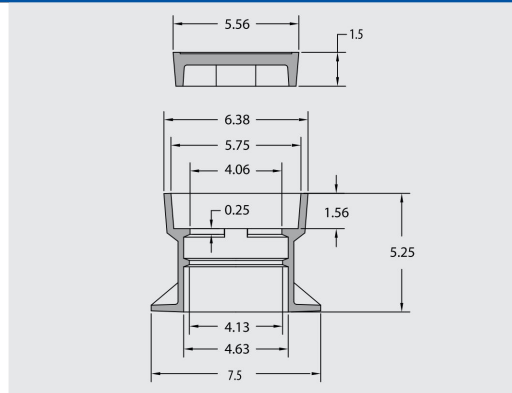


2197 VALVE BOX



Notes:
 - Material - Cast Iron
 - Per ASTM A48 Class 30B
 - Dimensions in Inches
 - Domestic Only

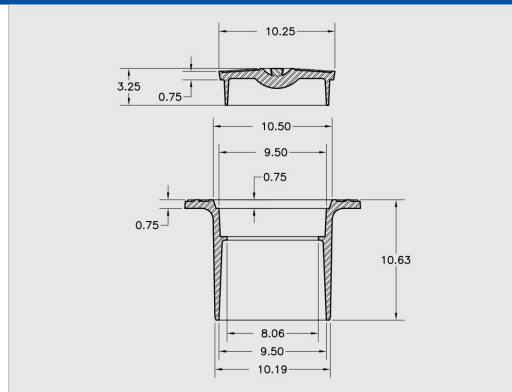


CARMEL SPEC

VBIWCW



Notes:
 - Material - Cast Iron
 - Per ASTM A48 Class 35B
 - Dimensions in Inches
 - Domestic Only



CARMEL CLAY SPEC



3450 W. 131st. Street
 Carmel, IN 46074

Phone: 317-733-2855
 Fax: 317-733-2053

CARMEL WATER
 STANDARD DETAILS

TITLE:

VALVE BOX LIDS

Date: January 2023

Scale: No Scale

Drawn By: Crossroad Engineers

Drawing Name: CW-36