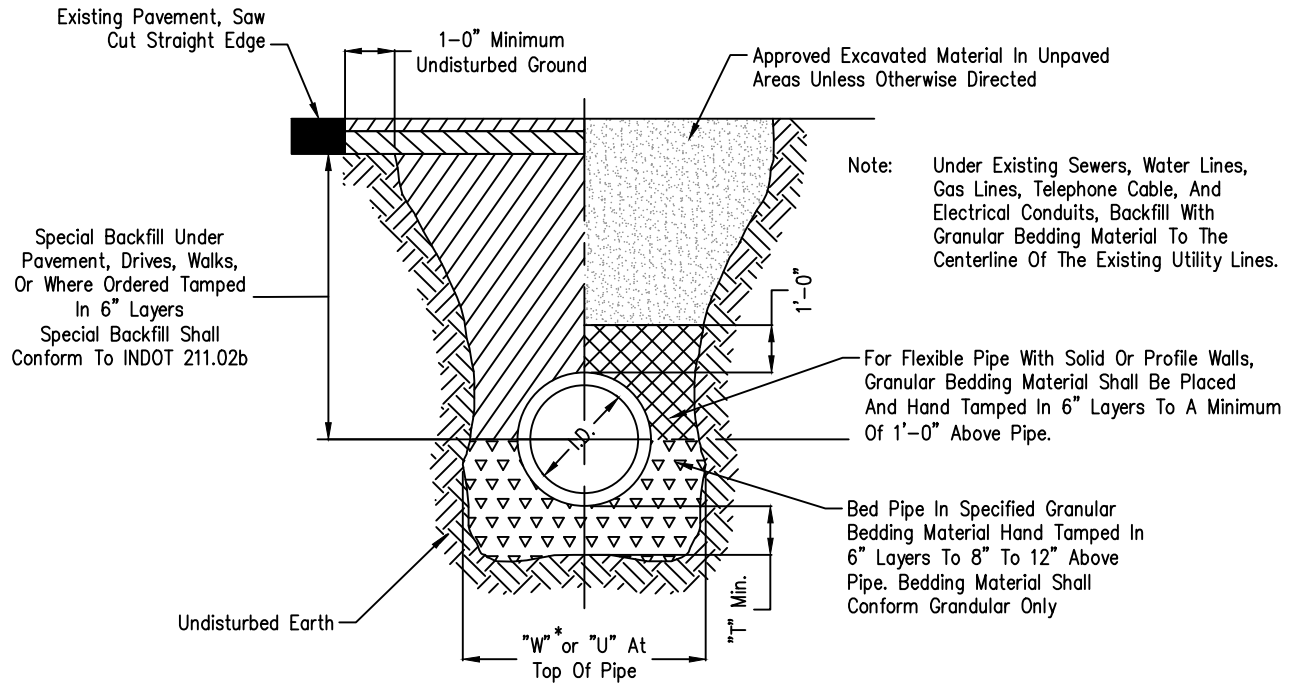


SIZE	"W"	"U" **	"T"
6"	2'-6"	2'-0"	4"
6"	2'-6"	2'-1"	4"
10"	2'-6"	2'-3"	4"
12"	2'-9"	2'-5"	4"
15"	3'-0"	2'-8"	5"
18"	3'-6"	3'-0"	5"
21"	3'-11"	3'-4"	6"
24"	4'-3"	3'-8"	6"
27"	2'-6"	3'-11"	6"
30"	5'-9"	4'-4"	6"
36"	6'-3"	5'-2"	6"
42"	6'-11"		8"
48"	7'-4"		9"
54"	8'-0"		9"
60"	8'-6"		9"
66"	9'-1"		9"
72"	9'-8"		10"
78"	10'-3"		10"

TRENCH SCHEDULE

** Table Is For ASTM D-3034, Wall Thickness Class SDR 35 For 6"-15" And ASTM F-679 Wall Thickness Class T-1 For 18"-36". For Other Flexible Pipes, Minimum Trench Width "U" Shall Meet Manufacturer's Requirements.



* Note: "W" Is The Maximum Width For Rigid Pipes.
 "U" Is The Maximum Width For Flexible Pipes In Accordance With ASTM D-2321.

TRENCH DETAIL FOR WATER MAINS (N.T.S.)



3450 W. 131st. Street
 Carmel, IN 46074

Phone: 317-733-2855
 Fax: 317-733-2053

CARMEL WATER
 STANDARD DETAILS

TITLE:
 TRENCH DETAIL &
 TRENCH SCHEDULE

Date: January 2023

Scale: No Scale

Drawn By: Crossroad Engineers

Drawing Name: CW-41