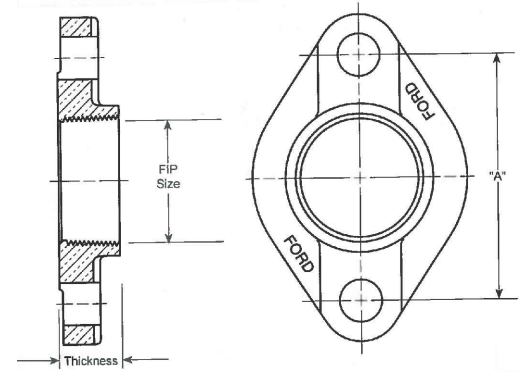


CITY of CARMEL WATER DISTRIBUTION

1 1/2" - 2" INSIDE METER SETS

1. All new commercial buildings are required Back flow Devices.
2. All new businesses relocating in existing commercial buildings are required backflow devices within 30 days.
3. Devices shall be of the type approved by Indiana Department of Environmental Management.
4. Depending on the degree of hazard, the Water Distribution Department will decide if you need a Double Check or a Reduced Pressure backflow device.
5. The device must be tested at the time of installation by a State Certified Backflow tester and at the correct intervals for the type of device.
6. Test results are to be sent to: Carmel Utilities 3450 W.131ST ST., Carmel, IN. 46074.
7. Any inside set that is below Ground Level must have a conduit ran to locate our Radio Transmitter at ground level or on an Outside Wall.

- A: Angle Meter Stop (Legend Valve) or Comparable Model T-1001 Full Port Ball Valve 1 1/2"- 2"
- B: Flanged Coupling (Ford) CF-31-66 1 1/2"
(Ford) CF-31-77 2"
- C: Distance for Meters 1 1/2" Meter = 13-1/2"
2" Meter = 17-1/2"



3450 W. 131st. Street
Carmel, IN 46074

Phone: 317-733-2855
Fax: 317-733-2053

CARMEL WATER
STANDARD DETAILS

TITLE:
1.5" AND 2" INSIDE
METER SPECS

Date: January 2023

Scale: No Scale

Drawn By: Crossroad Engineers

Drawing Name: CW-7