

CITY OF CARMEL – WATER DISTRIBUTION DEPARTMENT

SPECIFICATIONS 1 1/2" OUTSIDE METER PIT SET

REVISED 8/2017

- METER PIT COVER.** 20x36 STD METER BOX COVER. VESTAL ADAPTER RING WITH MC1 WITH 7" FRAME FORD MC-36-T MONITOR COVER (ALL WITH HOLE IN LID)
- COPPER SETTERS** FORD: 1 1/2" - SINGLE LID PLASTIC PIT SETTER (PMBHH-688-36-40-NL) MUELLER: 1 1/2" - EZ-VAULT METER SETTERS (500VS3636FFB000652N) AY McDONALD: 1 1/2" - PIT SETTER 780-648 NL
- SERVICE LINE.** ALL 1 1/2" SERVICE LINES MUST BE COPPER OUT OF CURB STOP AT LEAST 2 FEET.
- BALL TYPE CURB STOP.** MUST HAVE COMPRESSION TYPE FITTINGS ON BOTH ENDS AND BE SUPPORTED BY A CONCRETE BLOCK. Mueller- 25155-3, Ford- 1 1/2" B44-666 2" B44-777.
- SERVICE BOX with SERVICE BOX ROD.** DEPTH OF BURY WILL VARY.
- CORPORATION STOP.** CORPORATION STOP SHOULD BE TAPPED DIRECTLY TO THE WATER MAIN AT THE HORIZONTAL POSITION 3 O'CLOCK. 1 1/2" DUCTAL IRON or PLASTIC- repair clamp with Threaded 1 1/2" SMITH-BLAIR # 238 FULL CIRCLE REPAIR CLAMP SINGLE BAND.

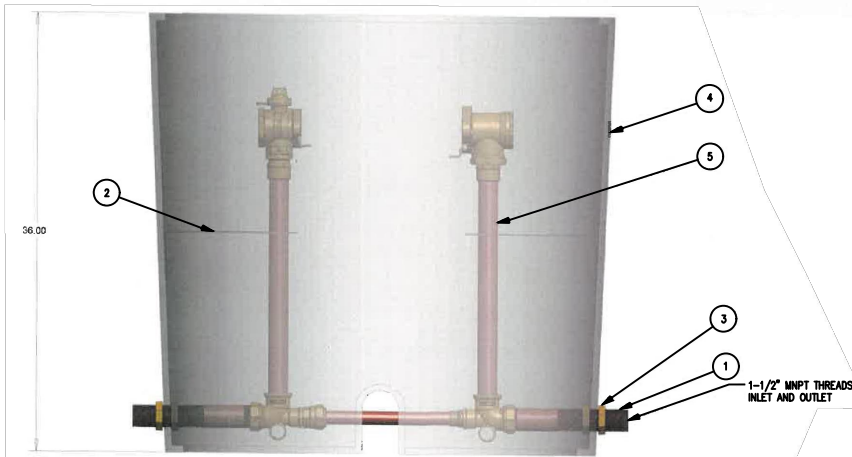
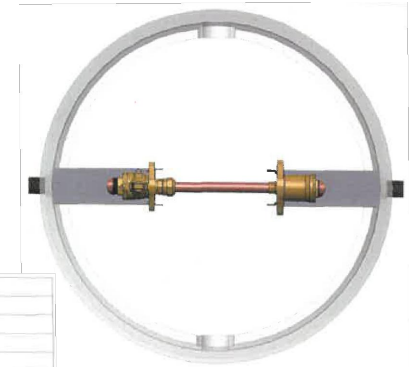
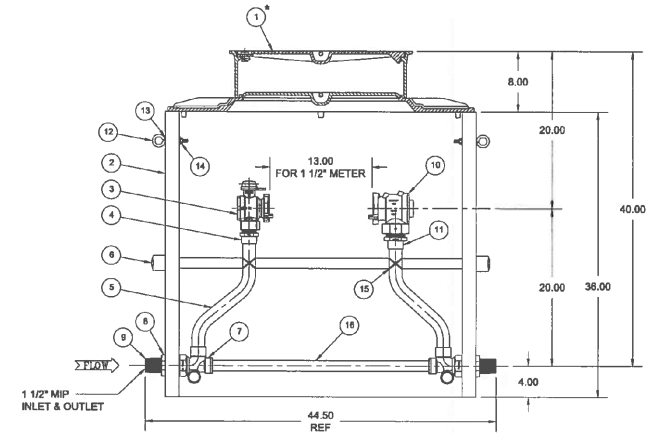
NOTES:

YOU WILL HAVE TO PRE-ORDER THESE PITS THRU YOUR LOCAL DISTRUBITOR (4 TO 6 WEEKS)

- Service lines require compression couplings only.
- No meter pit shall be installed in a traffic area, driveway, or side walk.
- There shall be no buried joints or couplings, except for the corporation stop on the Main and the curb stop valve.
- Care should be taken when establishing final grade. The meter pit cover is Expected to be at grade. Using bricks or blocks to raise the meter pit cover will not be accepted. (METER FROM TOP OF THE LID SHOULD BE NO DEEPER THAN 20")
- Any questions should be directed to the: [Carmel Water Distribution Department at 317-733-2855.](mailto:City of Carmel Water Distribution Department)

ITEM	DESCRIPTION	QTY	MATERIAL	CATALOG NUMBER
1	MONITOR COVER W/ INNER LID	1	CAST GRAY IRON	MC-36-MB
2	36" CORRUGATED PVC PIT	1	PVC	
3	ANGLE BALL VALVE	1	CAST NO-LEAD BRASS	BFA13-666W-MSB-NL
4	SOLDER BUSHING	1	CAST NO-LEAD BRASS	CS8-68-NL
5	1 5/8" OD COPPER TUBE	2	COPPER	
6	1" PVC BRACE BAR & CAPS	1	PVC	
7	TEE	2	CAST NO-LEAD BRASS	CSTEE-6-S
8	LOCK NUT	2	CAST RED BRASS	
9	NIPPLE	2	CAST NO-LEAD BRASS	
10	ANGLE DUAL CHECK VALVE	1	CAST NO-LEAD BRASS	H#FA31-777-MSB-NL
11	SOLDER BUSHING	1	CAST NO-LEAD BRASS	CS8-67-NL
12	EYE BOLT	2	ZINC PLATED STEEL	
13	FLAT WASHER	4	ZINC PLATED STEEL	
14	LOCK NUT	2	ZINC PLATED STEEL	
15	PLASTIC TIES	4	PLASTIC	
16	1 3/8" OD COPPER TUBE	1	COPPER	

* ORDERED SEPARATELY



ITEM NO	PART NUMBER	QTY	DESCRIPTION
1	534894	2	1-1/2" X 10" BULKHEAD NIPPLE
2	548554	2	STAINLESS STEEL SUPPORT BRACKET
3	790038	4	1-1/2" HEX NUT
4	790244	1	36" x 36" SHELL
5	721B2422-2-N	1	1-1/2" X 24" COPPER METER SETTER



3450 W. 131st. Street
Carmel, IN 46074

Phone: 317-733-2855
Fax: 317-733-2053

CARMEL WATER
STANDARD DETAILS

TITLE:
1.5" SPECIFICATIONS
OUTSIDE METER PIT

Date: January 2023

Scale: No Scale

Drawn By: Crossroad Engineers

Drawing Name: CW-9